

Colony Brochure Project

You are a colonist during the Colonial America time period. Pretend that you are making a brochure to pass out to people in the Old World in order to convince them to travel to your colony. You can draw/hand write or type/print your work, or any combination of the two. When you are finished, fold your brochure in a tri-fold, and bring completed to class on

Front of Brochure:

Box 1: Name of Colony

Box 2: Date Founded

Box 3: Picture: Colony Flag

Right Cover Clap:

Box 6: 3 Sentences: Reason #1 why people should live in your colony

Box 7: 3 Sentences: What kinds of jobs does your colony offer

Inside Left Section:

Box 8: 2 Sentences: Where is your colony located

Box 9: Picture: A map of your colony in all 13 colonies

Inside Middle Section:

Box 10: 3 Sentences: What type of government your colony has

Box 11: 3 Sentences: Reason #2 why people should live in your colony



Inside Right Section:

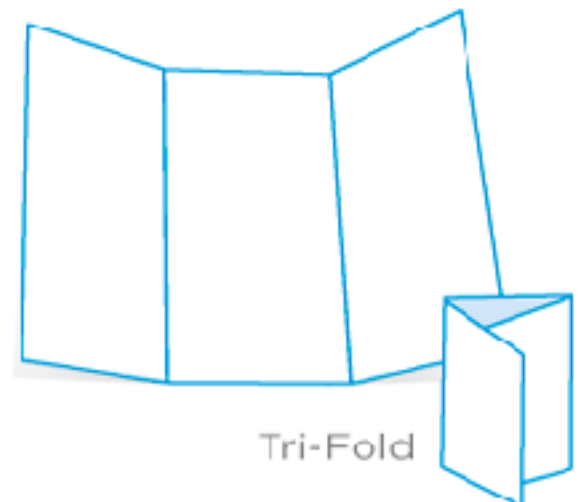
Box 12: Picture: something to represent your geography or weather

Box 13: 2 Sentences: What is your regions geography and weather

Back of Brochure:

Box 4: 2 Sentences: 2 popular cities in your colonies

Box 5: Picture: Free choice!



6.

7.

4.

5.

1.

2.

3.

8.

10.

12.

9.

11.

13.